

Current part is item (8) on diagram. Available at [www.oshkoshequipment.com](http://www.oshkoshequipment.com)

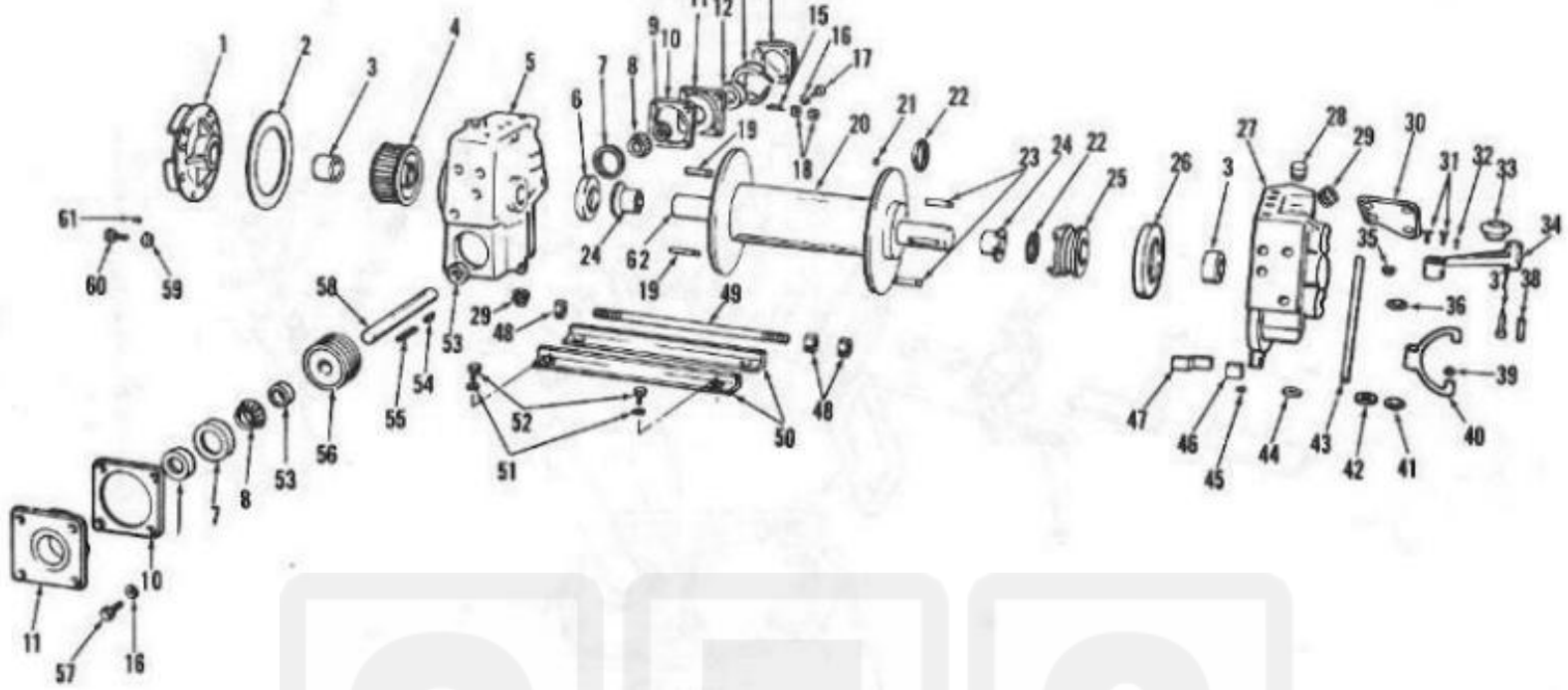


Figure 135: Winch Assembly

Page 361

(1) SMR code	(2) Federal Stock Number	(3) Description  Reference Number & Mfg. Code Usable on Code	(4) Qty Unit of meas	(5) inc in unit	(6) 30-day DS maint. allowance			(7) 30-day GS maint. allowance			(8) 1-yr alw per 100 equip cntgcy	(9) Depot maint alw per 100 equip	(10) Illustration	
					(a) 1-20	(b) 21-50	(c) 51-100	(a) 1-20	(b) 21-50	(c) 51-100			(a) Figure No.	(b) Item No.
		2001 WINCH ASSEMBLY Continued												
		WINCH ASSEMBLY Continued												
PF	3110-100-3535	CONE AND ROLLERS MU103A (08302)	EA	2	*	*	*	*	*	*			135	8
PF	5330-585-6642	SEAL, PLAIN ENCASED LU4-149A (08302)	EA	2	*	*	*	*	*	*			135	9
PF	5330-524-9623	GASKET, BEARING RETAINER MU149G (08302)	EA	2	*	*	*	*	*	*			135	10
X2F		RETAINER, BEARING LU 1490 (08302)	EA	2	*	*	*	*	*	*			135	11
PF	2590-741-2415	DRUM, BRAKE MU151 (08302)	EA	1	*	*	*	*	*	*			135	12
PF	2590-735-1201	BAND, BRAKE MU 1520 (08302)	EA	1	*	*	*	*	*	*			135	13
PF	3950-693-1862	HOUSING, BRAKE DRUM LU4-148 (08302)	EA	1	*	*	*	*	*	*			135	14
PF	2590-741-2462	SPRING, BRAKE MU 156 (08302)	EA	1	*	*	*	*	*	*			135	15
PF	5310-660-2987	WASHER, LOCK A3750 (08302)	EA	8	*	*	*	*	*	*			135	16
PF	5305-012-0918	SCREW, CAP, HEXAGON HEAD BRAKE DRUM HOUSING 120918 (24617)	EA	4	*	*	*	*	*	*			135	17

Current part is item (8) on diagram. Available at [www.oshkoshequipment.com](http://www.oshkoshequipment.com)